

VITRO RIGHT CORNER

WITH AUTOMATIC BEV[®] BURNER

Net Zero fireplace with BEV Technology[®]



AUTOMATIC BEV[®] BURNER

The BEV Technology[®] guarantees burning that is free of smoke, odor, or ash. This technology creates a flame by burning ethanol vapors, ensuring that the fire has no direct contact with the liquid fuel.



HIGH-VIEW DESIGN

The fireplace features tall, sleek glass panels that offer an unobstructed view of the flames, turning the fire into a striking decorative element that enhances the overall design of your space.



AUTOMATIC REFILLING

The automatic pump communicates with the device, delivering the necessary amount of fuel. There is no risk of overfilling the tank or spilling the fuel.



NEW BURNER DESIGN

The unique log setup, supported by special brackets, creates a deeper, more dynamic flame display. This innovative design mimics the natural look of a bonfire, adding depth and dimension to your space.



GLASS ENCLOSED

Experience the perfect blend of elegance and efficiency with our modern closed fireplace featuring tempered glass, offering unparalleled heat retention and safety for your home.



EXTERNAL CONTROL PANEL

Install the external panel below the fireplace or in a nearby wall – wherever it suits your design. It features an LCD screen and a built-in refueling port for easy access.



Vitro Right Corner

Fuel tank capacity	10.5 L 2.3 gal
Maximum burn time	17 hours
Maximum heat output	9.5 kW 32 415 BTUs/h
Minimum room cubature	not applicable
Flame height regulation	6 stages
Weight	155.0 kg 342.0 lbs
Fuel type	bioethanol 95 - 96,6%
Flue	required
Air change rate	1 space volume per hour
Power supply	230 V 115 V
Finish	black powder coating
Materials	steel, galvanized steel, tempered glass
Application	for indoor use only

CONTROL OPTIONS



included



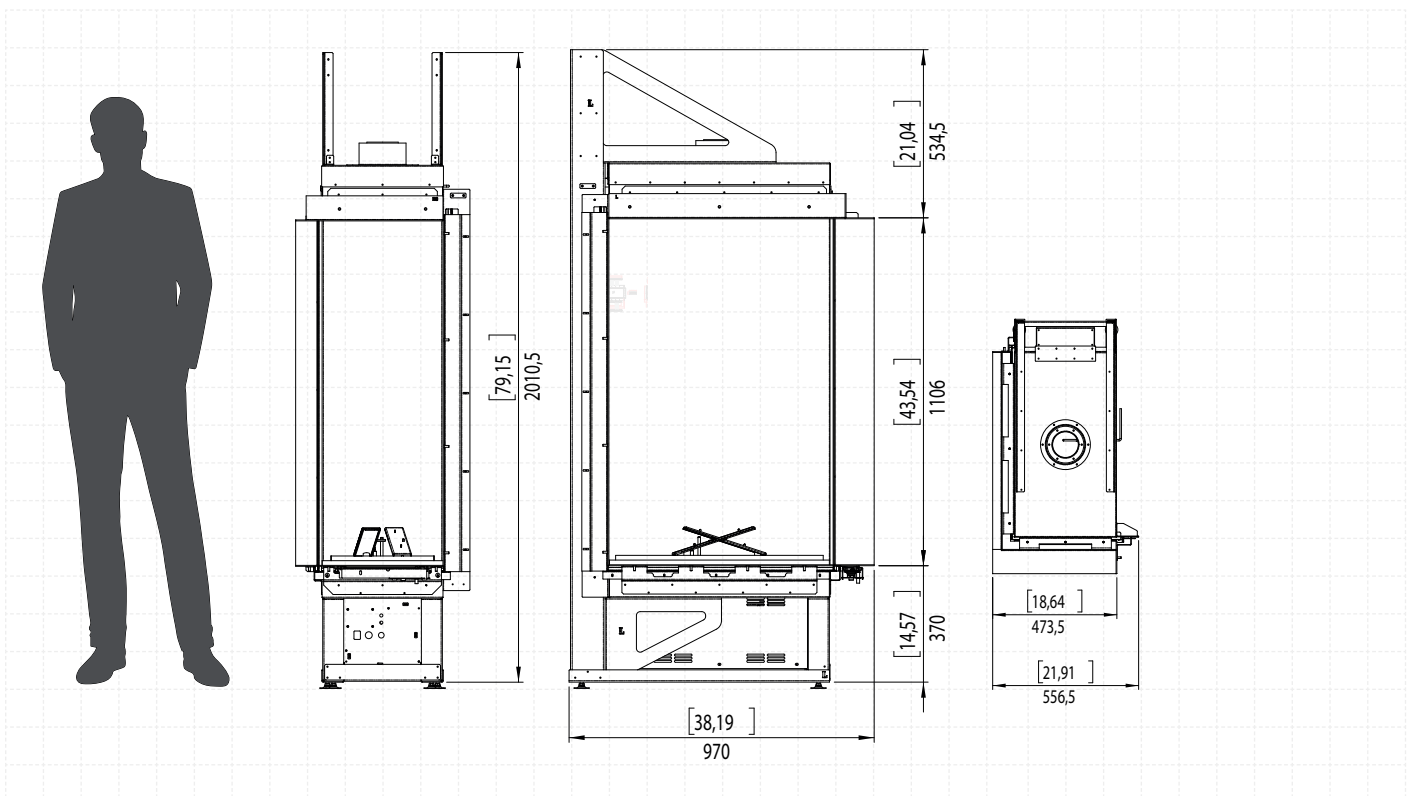
included



optional

'PLANIKA BEV' APP

Control the fire with your smartphone!



All product specifications and data are subject to change without notice and are believed to be accurate as of the date hereof. Planika Sp. z o.o., its affiliates, agents, and employees, and all persons acting on its or their behalf (collectively, "Planika Sp. z o.o."), disclaim any and all liability for any errors, inaccuracies or incompleteness contained in any document or in any other disclosure relating to any product. To the maximum extent permitted by applicable law, Planika Sp. z o.o. disclaims any and all liability arising out of the application or use of any product. No license, express or implied, by estoppel or otherwise, to any intellectual property rights is granted by this document or by any conduct of Planika Sp. z o.o.. Customers using or selling Planika Sp. z o.o.'s products not expressly indicated for use in such applications do so entirely at their own risk and agree to fully indemnify Planika Sp. z o.o. for any damages arising or resulting from such use or sale. The provided fuel consumption is based on laboratory testing on the lowest flame level. The actual consumption of individual devices may vary. The images are indicative only.