

Declaration of Conformity (DoC)

Manufacturer

Lotus Heating Systems A/S, Agertoften 6, 5550 Langeskov. +45 6323 7070

Product type

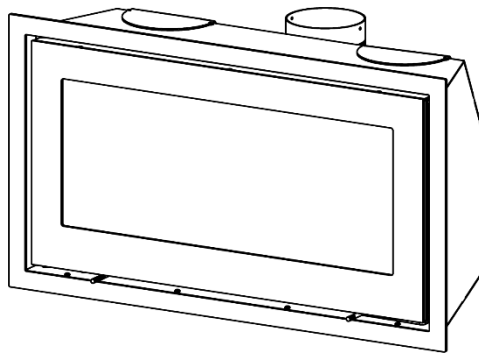
Inset appliances including open fires for solid fuel

Dokumentation

www.lotusstoves.com

Identification

Lotus H470W

**EU Union legislation:**

Top level directives and regulations

DIR 2009/125/EC - Energy Related Products Directive (codesign)

REG (EU) 305/2011- Construction Products Regulation (CPR)

REG (EU) 2017/1369 - Energy Labelling Regulation

Implementation measures incl regulations and delegated acts

(EU) 2015/1186 (EL) - Energy labelling delegated act on Room heaters

(EU) 2015/1185 (ED) - Ecodesign regulation on Room heaters

2017/C 076/02 - COM Transitional methods OJ EU C76 Vol 60

Harmonized standards, other standards and technical specifications

EN 16510-1:2022 - General requirements and test method

EN 16510-2-1:2022 – Room heaters

This manufacturer's declaration confirms the compliance with the requirements of Regulation (EU) 2015/1185 and the notification in the Official Journal 2017 / C 076/02 of the European Commission.

Signed on behalf of manufacturer:

Langeskov, Denmark

09.11.2025



Lars U. Borch, CEO / Managing Director
Lotus Heating Systems A/S