

# GALIO STAR INSERT AUTOMATIC

## FREESTANDING OUTDOOR GAS BURNER

### Gas Technology

#### BEST BUILD QUALITY

The product is built to the highest quality standards. Made of stainless steel and best materials, it is extremely durable and resistant to the most harsh conditions.

#### STAR-SHAPED BURNER

This Galio has a unique star-shaped burner that creates an eye-catching multidimensional flame.



#### GAS TECHNOLOGY

A gas fireplaces burner with two fuel options - LPG or Natural Gas. A perfect combination for custom outdoor fire designs.

#### AUTOMATIC CONTROL

The device is controlled by an electronic system. To start the device or adjust the height of the flame you can use the Wall Switch control panel, remote or mobile application via the WiFi module. Galio is also compatible with Smart Home Systems.

#### REMOTE CONTROL

Control the fire with the remote, app on your smartphone or a home automation system.



## Galio Star Insert Automatic (Gas Technology)

Fuel type	Natural Gas / LPG
Heat output	(NG) max. 16.4 kW   55 940 BTU/h (LPG) max. 17.3 kW   59 050 BTU/h
Gas consumption	(NG) max. 1.47 m <sup>3</sup> /h   51.9 ft <sup>3</sup> /h (LPG) max. 1.35 kg/h   1.35 kg/h
Gas pressure	(NG) 20 mbar   8 WC (LPG) 37 mbar   14.9 WC
Total gas hose length	4 m   13 ft <i>(measured from valve to pressure regulator)</i>
Weight	17.0 kg   37. lb
Power supply	remote: 2x 1.5V AAA batteries receiver: 4x 1.5V AA Wi-Fi: 6V DC
Flue	not required
Flame height regulation	yes
Materials	steel 316
Decorative accessories	black diamond stones
Application	for outdoor use only

### CONTROL OPTIONS



included



optional



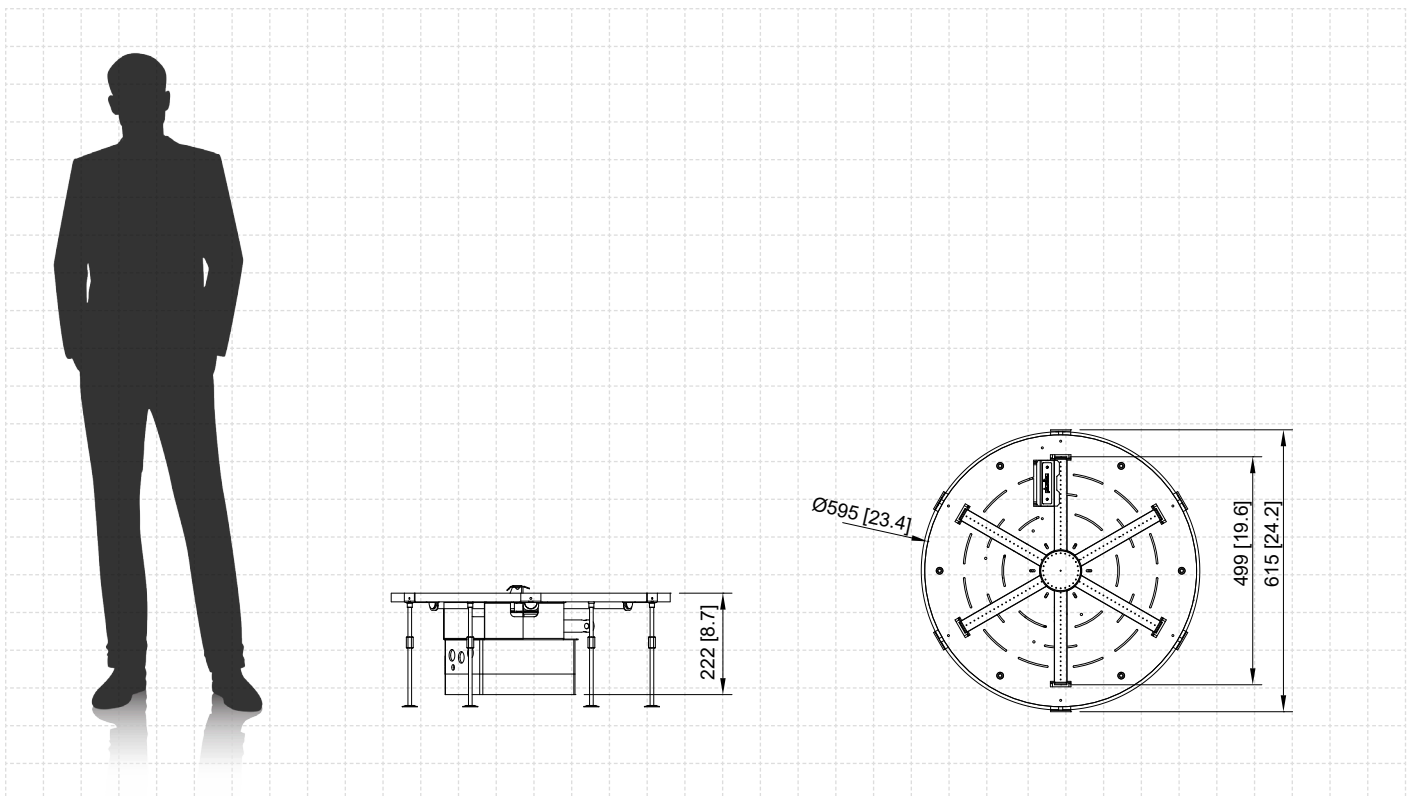
compatible

### 'PLANIKA GAS CONTROL' APP

*Control the fire with your smartphone!*



custom size and shape  
available on request



All product specifications and data are subject to change without notice and are believed to be accurate as of the date hereof. Planika Sp. z o.o., its affiliates, agents, and employees, and all persons acting on its or their behalf (collectively, "Planika Sp. z o.o."), disclaim any and all liability for any errors, inaccuracies or incompleteness contained in any document or in any other disclosure relating to any product. To the maximum extent permitted by applicable law, Planika Sp. z o.o. disclaims any and all liability arising out of the application or use of any product. No license, express or implied, by estoppel or otherwise, to any intellectual property rights is granted by this document or by any conduct of Planika Sp. z o.o.. Customers using or selling Planika Sp. z o.o.'s products not expressly indicated for use in such applications do so entirely at their own risk and agree to fully indemnify Planika Sp. z o.o. for any damages arising or resulting from such use or sale. The provided fuel consumption is based on laboratory testing. The actual consumption of individual devices may vary. The images are indicative only.